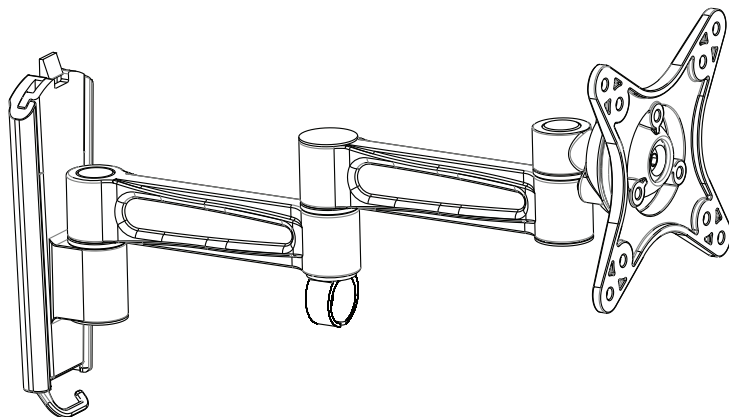




SHADOW MOUNT SERIES

Articulating TV Wall Mount

Model: AM3713 Installation Instructions



UNPACKING INSTRUCTIONS

- Carefully open the carton, remove contents, and lay out on cardboard or other protective surface to avoid damage.
- Check package contents against the Supplied Parts List on the next page to assure that all components were received and are undamaged. Do not use damaged or defective parts.
- Carefully read all instructions before attempting installation.

IMPORTANT SAFETY INFORMATION

This product was designed to be used for a specific purpose and configuration. The manufacturer cannot be held liable for damage or injury caused by assembly, installation, or use beyond the intended application.

- Please review these instructions prior to installation. Carefully follow assembly and installation instructions contained herein. Use of proper safety equipment and safe handling techniques during installation will greatly reduce the chance of accident or injury.
- If you do not understand these directions, or have doubts about your ability to safely complete the installation, please contact a qualified contractor.
- Check carefully to make sure there are no missing or defective parts. Never use defective parts.

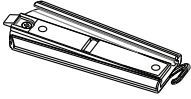


WARNING

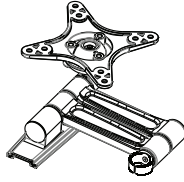
CAUTION!

This TV mount must be securely attached to the vertical wall. If the mount is not properly installed it may fall, resulting in possible injury and/or damage.

Supplied Parts List



(1) Wall Plate-a



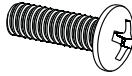
(1) Mornitor Bracket-b



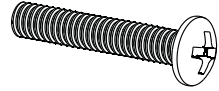
(4) M4x12 Bolt-c



(4) M4x30 Bolt-d



(4) M6x12 Bolt-e



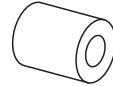
(4) M6x35 Bolt-f



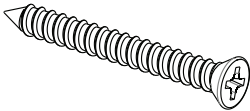
(8) M4 Washer-g



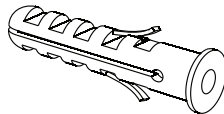
(4) M6 Washer-h



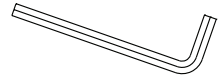
(4) M4/M6 Space-i



(2) Lag Bolt-j



(2) Concrete Anchor-k



(1) Allen Key-l

Tools Required

- 9/64" Drill Bit
- Phillips Screwdriver
- Stud Finder

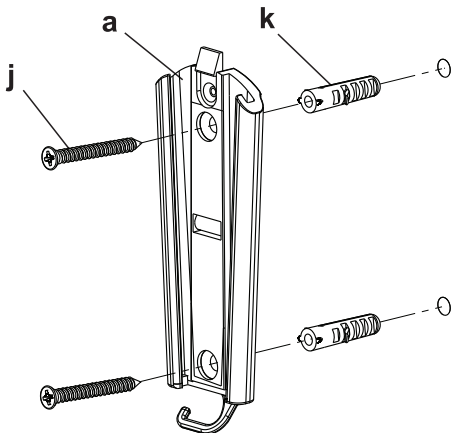
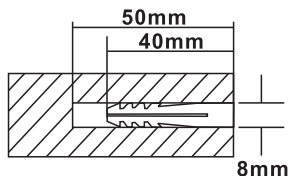
- 5/16" Masonry Bit
- Carpenter's Level

Note: The mounting components and hardware supplied in this package are not designed for installations to walls with steel studs or to cinder block walls. If the hardware you need for your installation is not included, please consult your local hardware store for proper mounting hardware for the application.

Note: The mounting components and hardware supplied in this package are not designed for installations to walls with steel studs or to cinder block walls. If the hardware you need for your installation is not included, please consult your local hardware store for proper mounting hardware for the application.

Brick and Solid Concrete mounting:

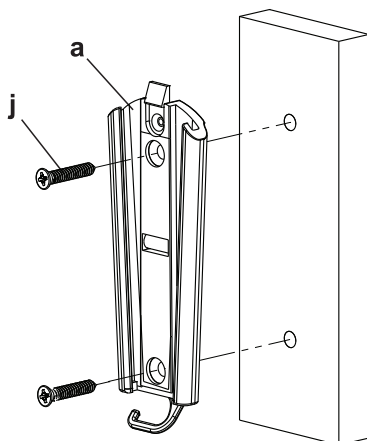
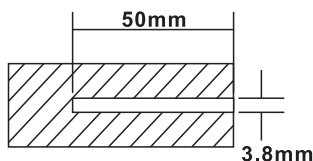
Using a carpenter's level mark a plumb line on the wall and use the wall plate (A) as a template for marking the two mounting holes. Drill the holes with a 5/16" masonry bit to a minimum depth of 2". Insert a concrete anchor (K) into each hole; the anchor must seat flush with the concrete surface, even through a layer of drywall or other material. Thread the lag screws (J) through the holes in the wall plate and tighten firmly. Do not overtighten as this might strip out the concrete anchor.



Wood Stud mounting:

For maximum holding strength, the wall plate should be mounted to a wood stud. Alternate hardware is available to mount the wall plate to the wall when no stud is available in the desired location, check with your Shadow Mount dealer for options. Using a stud finder, locate and mark the right and left edge of the stud then mark the center.

Using a carpenter's level, mark a plumb line on the wall and use the wall plate (A) as a template for marking the two mounting holes. Prior to drilling, it is a good idea to verify the stud location using an awl or thin nail. Drill the holes with a 9/64" bit to a minimum depth of 2". Thread the lag screws (J) through the holes in the wall plate and firmly tighten.



Step 2

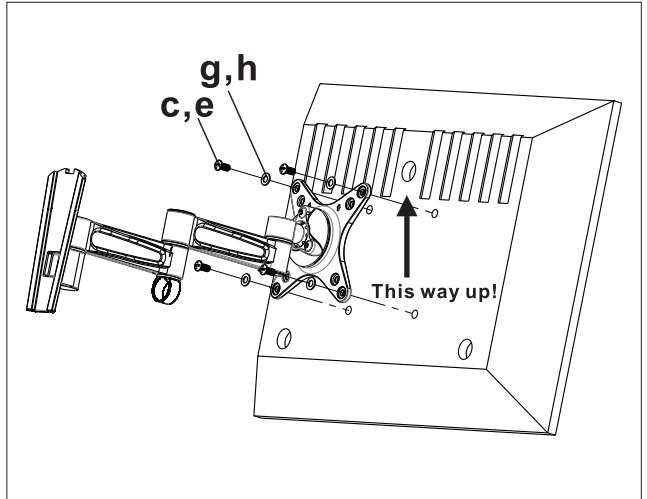
Mounting the Monitor Bracket to a TV

The monitor bracket is designed to fit a 75 x 75 or 100 x 100 VESA mount pattern. Included with the mount are extensions that screw onto the monitor bracket and extend the mounting option to 200 x 200.

Step 2A

Mounting the Monitor Brackets to a TV with Flat Back

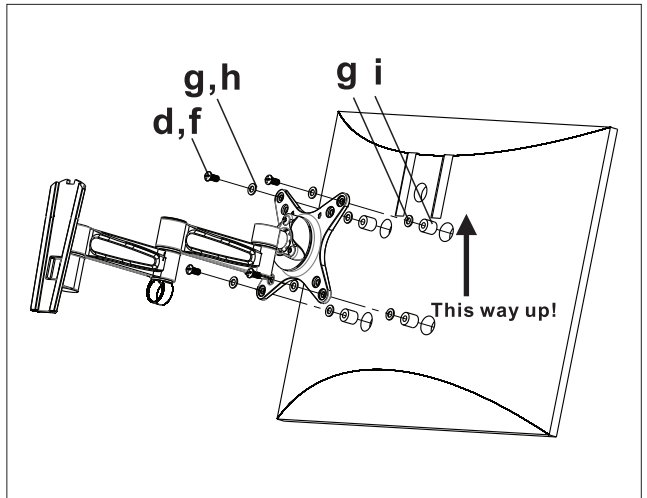
For a TV with a flat back you will use the set of short M4 or M6 screws. Place the monitor bracket (B) against the back of the monitor and align the holes. Place a flat washer (G, H) onto each M4/M6 screw (C, E) and thread through a hole in the monitor bracket into each of the TV's mounting holes.



Step 2B

Mounting the Monitor Brackets to a TV with Curved Back

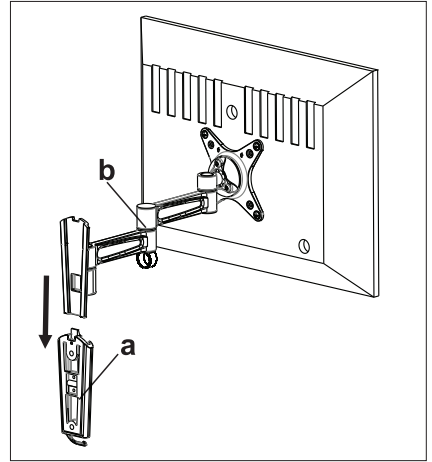
For a TV with a curved back you will use the set of long M4 or M6 screws. Place a flat washer (G) onto each M4/M6 screw (D, F) and thread through a hole in the monitor bracket (B). Place another flat washer onto the screw and thread through a spacer (I) and into each of the TV's mounting holes.



Step 3

Insert Arm Assembled into Wall Plate

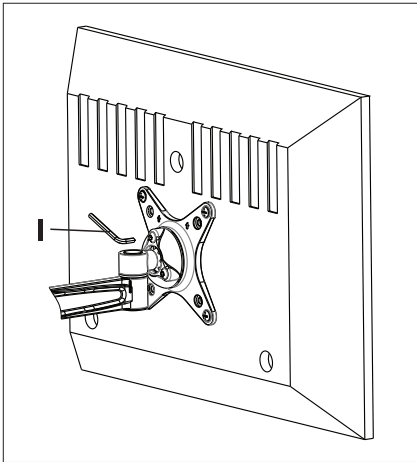
Place the monitor bracket (B) into the adjoining grooves on the wall plate (A). Slide the monitor bracket into place, the plastic locking mechanism will snap forward when the monitor bracket is seated.



Step 4

Adjust the Tilting Angle

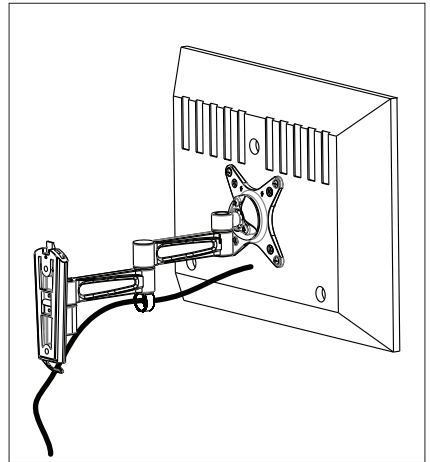
There are three hex head screws on the monitor mount. Loosen the screws to adjust the "tilt angle" of the TV / monitor. Tighten the screws to hold the TV / monitor securely.



Step 5

Cable Management

Route video and power cables through the "J" hook at the bottom of the wall plate then to the TV.



Thank you for choosing Dayton Audio